

GRAVEL




# NYK 3.0 GRX DI2



 black-blue

 700C

 carbon

 46 / 49 / 51 / 53 / 56 cm

 22 speed

 8,6 kg

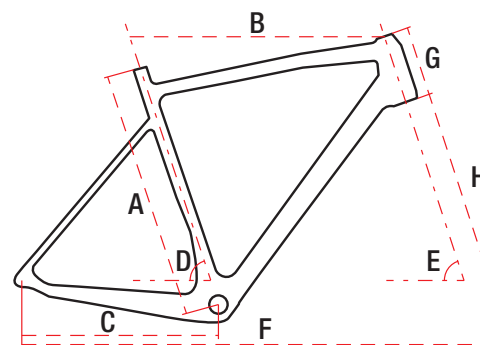
# NYK 3.0 GRX DI2

## Technical data

WHEEL SIZE / FRAME	700C / carbon	RIMS	Carbon 24h
SIZE	46cm / 49cm / 51cm / 53cm / 56cm	FRONT HUB	Novatec D411 24h straightpull
FORK	Carbon	REAR HUB	Novatec D411 24h straightpull
DAMPER	—	CASSETTE	Shimano CS-HG800 11-32 11 speed
DRIVETRAIN	2×11	HANDLEBAR	Caron aero Internal cable routing 400/420mm
FRONT SHIFTERS	Shimano GRX ST-RX815 DI2 2 speed	STEM	Caron aero Internal cable routing 120/130mm
REAR SHIFTERS	Shimano GRX ST-RX815 DI2 11 speed	SEAT POST	Carbon 27,2mm / 300mm
FRONT DERAILLEUR	Shimano GRX FD-RX815 DI2	GRIPS	—
REAR DERAILLEUR	Shimano GRX RD-RX815 DI2	SADDLE	Fizik Argo X5 150mm
CRANKSET	Shimano GRX FC-RX810 48/31 170mm/172,5mm	PEDALS	FP-971 aluminium
FRONT BRAKE	Shimano GRX BR-RX810	FRONT LAMP	—
REAR BRAKE	Shimano GRX BR-RX810	REAR LAMP	—
FRONT BRAKE DISC	Shimano SM-RT800 centerlock 160mm	WEIGHT	8,6 kg
REAR BRAKE DISC	Shimano SM-RT800 centerlock 160mm	COLOURS	black-blue
TYRES	Schwalbe G-One RS 700×45C		

## Geometry

	XS	S	M	L	XL
Rozmiar opon	28"	28"	28"	28"	28"
A - długość rury podsiodłowej	460 mm	490 mm	510 mm	530 mm	560 mm
B - długość górnej rury	517 mm	532 mm	556 mm	571 mm	595 mm
C - długość tylnego widelca	425 mm	425 mm	425 mm	425 mm	425 mm
D - kąt rury podsiodłowej	74,5°	74,5°	73,5°	73,5°	73,5°
E - kąt główki	70°	71°	71°	71°	71°
F - baza kół	1006 mm	1017 mm	1032 mm	1043 mm	1057 mm
G - wysokość główki ramy	115 mm	135 mm	155 mm	170 mm	190 mm
H - długość widelca	425 mm	425 mm	425 mm	425 mm	425 mm
Stack	539 mm	560 mm	579 mm	595 mm	614 mm
Reach	367 mm	376 mm	385 mm	395 mm	403 mm
Przekrok	—	—	—	—	—
Maksymalny rozmiar opony	700×45C	700×45C	700×45C	700×45C	700×45C



GRAVEL




# NYK 3.0 RIVAL AXS




 black-red

 700C

 carbon

 46 / 49 / 51 / 53 / 56 cm

 12 speed

 9,9 kg

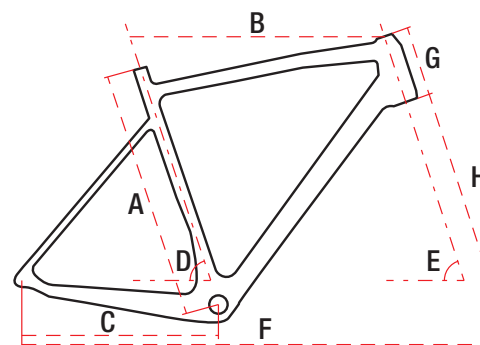
# NYK 3.0 RIVAL AXS

## Technical data

WHEEL SIZE / FRAME	700C / carbon	RIMS	Carbon 24h
SIZE	46cm / 49cm / 51cm / 53cm / 56cm	FRONT HUB	Novatec D411 24h straightpull
FORK	Sram Rock Shox Rudy tapered 30mm	REAR HUB	Novatec D411 24h straightpull
DAMPER	—	CASSETTE	Sram Rival 1251 10-44t 12 speed
DRIVETRAIN	1×12	HANDLEBAR	Caron aero Internal cable routing 400/420mm
FRONT SHIFTERS	Sram Rival AXS	STEM	Caron aero Internal cable routing 120/130mm
REAR SHIFTERS	Sram Rival AXS 12 speed	SEAT POST	Sram Reverb 27,5 / 350mm / 50 mm
FRONT DERAILLEUR	—	GRIPS	—
REAR DERAILLEUR	Sram Rival AXS	SADDLE	Fizik Argo X5 150mm
CRANKSET	Sram Rival 40T 170mm/172.5mm	PEDALS	FP-971 aluminium
FRONT BRAKE	Sram Apex Hydraulic	FRONT LAMP	—
REAR BRAKE	Sram Apex Hydraulic	REAR LAMP	—
FRONT BRAKE DISC	Sram Centerline 140mm	WEIGHT	9,9 kg
REAR BRAKE DISC	Sram Centerline 140mm	COLOURS	black-red
TYRES	Schwalbe G-One R 700×45C		

## Geometry

	XS	S	M	L	XL
Rozmiar opon	28"	28"	28"	28"	28"
A - długość rury podsiodłowej	460 mm	490 mm	510 mm	530 mm	560 mm
B - długość górnej rury	521 mm	536 mm	561 mm	576 mm	589 mm
C - długość tylnego widelca	425 mm	425 mm	425 mm	425 mm	425 mm
D - kąt rury podsiodłowej	73°	73°	72°	72°	72°
E - kąt główki	69°	70°	70°	70°	70°
F - baza kół	1008 mm	1019 mm	1034 mm	1045 mm	1059 mm
G - wysokość główki ramy	115 mm	135 mm	155 mm	170 mm	190 mm
H - długość widelca	425 mm	425 mm	425 mm	425 mm	425 mm
Stack	549 mm	569 mm	588 mm	605 mm	624 mm
Reach	354 mm	362 mm	371 mm	380 mm	388 mm
Przekrok	—	—	—	—	—
Maksymalny rozmiar opony	700×45C	700×45C	700×45C	700×45C	700×45C



— S —  
NYK




 brown-beige

 700C

 carbon

 54/56/58 cm

 11speed

 8,5 kg

NYK

## Technical data

<b>WHEEL SIZE / FRAME</b>	700C / carbon	<b>RIMS</b>	Ursus Orion Disc RD40
<b>SIZE</b>	54cm / 56cm / 58cm	<b>FRONT HUB</b>	Front wheel Ursus Orion Disc RD40
<b>FORK</b>	Carbon	<b>REAR HUB</b>	Rear wheel Ursus Orion Disc aluminium RD40
<b>DAMPER</b>	—	<b>CASSETTE</b>	Sram PG 1130 11-42T 11 speed
<b>DRIVETRAIN</b>	1×11	<b>HANDLEBAR</b>	Romet Carbon 420mm
<b>FRONT SHIFTERS</b>	Brake lever Sram Apex	<b>STEM</b>	Fizik Cyrano 90mm/100mm/110mm aluminium
<b>REAR SHIFTERS</b>	Sram Apex 11 speed	<b>SEAT POST</b>	Romet Carbon 27,2mm / 350mm
<b>FRONT DERAILEUR</b>	—	<b>GRIPS</b>	—
<b>REAR DERAILEUR</b>	Sram Apex 11 speed	<b>SADDLE</b>	Fizik Antares R5 EVO
<b>CRANKSET</b>	Sram FC-S350 40T 170mm/175mm	<b>PEDALS</b>	FP-971 aluminium
<b>FRONT BRAKE</b>	Sram Apex Hydraulic	<b>FRONT LAMP</b>	—
<b>REAR BRAKE</b>	Sram Apex Hydraulic	<b>REAR LAMP</b>	—
<b>FRONT BRAKE DISC</b>	Sram Centerline 140mm	<b>WEIGHT</b>	8,5 kg
<b>REAR BRAKE DISC</b>	Sram Centerline 140mm	<b>COLOURS</b>	brown-beige
<b>TYRES</b>	WTB Resolute 700×42C		

## Geometry

	<b>M</b>	<b>L</b>	<b>XL</b>
<b>Tyre size</b>	28"	28"	28"
<b>A - frame size</b>	540 mm	560 mm	580 mm
<b>B - top tube length</b>	545 mm	560 mm	575 mm
<b>C - chainstay length</b>	435 mm	435 mm	435 mm
<b>D - seat tube angle</b>	73.5°	73°	72.5°
<b>E - head tube angle</b>	71.5°	72°	72°
<b>F - wheel base</b>	1026.8 mm	1031.8 mm	1041.1 mm
<b>G - head tube length</b>	150 mm	170 mm	190 mm
<b>H - fork length</b>	395 mm	395 mm	395 mm
<b>Stack</b>	—	—	—
<b>Reach</b>	—	—	—
<b>Standover height</b>	—	—	—
<b>Maximum tyre size</b>	700×45C	700×45C	700×45C

